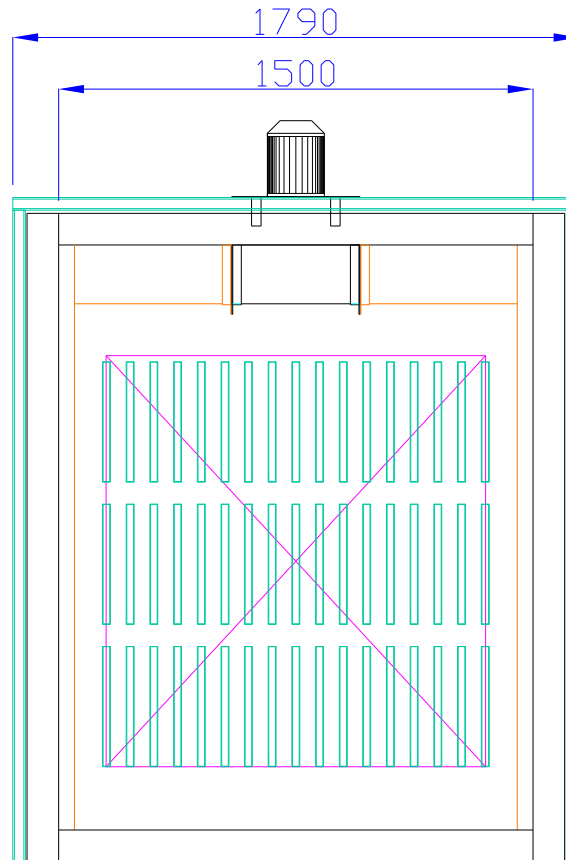
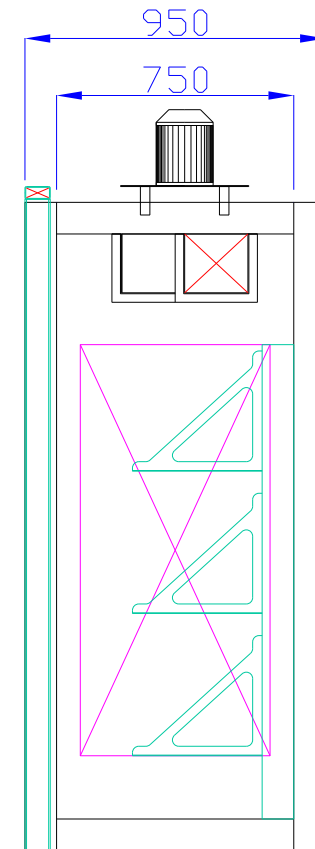


FRONT ELEVATION  
OPTION A



FRONT ELEVATION  
OPTION B



SIDE ELEVATION

THIS DRAWING IS THE PROPERTY OF HAVILAND LTD AND MUST NOT BE COPIED OR LOADED IN PART OR IN FULL. THIS SHOULD NOT BE USED FOR MANUFACTURING PURPOSES UNLESS SPECIFIED

CLIENT NAME: COTECH

JOB NUMBER: 5636

DRAWING NAME: OVEN PROPOSALS

DRAWING NUMBER: P-102

DATE: 23/5/12

DRAWN BY: A BRITTON

**Haviland Limited**

Haviland.Ltd@virgin.net

Tel: 0115 9444159 Fax: 0115 9444195